

# 2.54\*2.54mm(0.100"\*0.100")PIN HEADER,DUAL ROW,SMT WITH LOCATING PEG , H = 2.5mm

REVISION DATA			
ITEM	DESCRIPTION	DATE	REMARK
B			

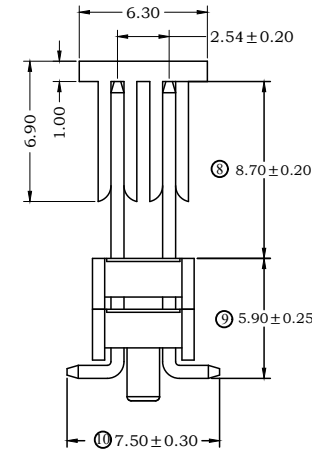
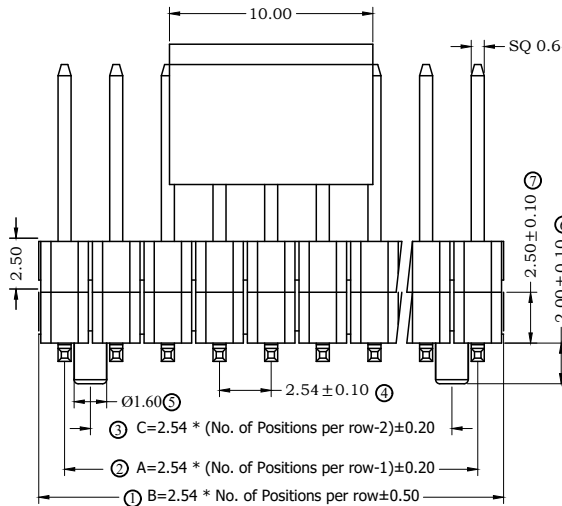
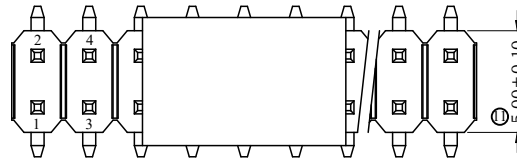
## SPECIFICATIONS 规格

CURRENT RATING 电流额定值 : 3AMP  
 CONTACT RESISTANCE 接触电阻值 : 20mΩ Max  
 INSULATION RESISTANCE 绝缘电阻值 : 1000MΩ Min  
 DIELECTRIC WITHSTAND 耐压值 : 500V AC/minute  
 OPERATION TEMPERATURE 工作温度 : -40°C to +105°C

CONTACT MATERIAL 端子材质 : BRASS  
 HOUSING MATERIAL 塑胶材质 :  
 STANDARD 标准物料: PA6T + 30%G.F. ; UL 94V-0;BLACK

PLATING 电镀 : Au or Sn Over 30u" Ni

盖子根据客户需求可加, 可不加



No. of PIN/ROW	Dimension Information	
	A	B
02	2.54	5.08
03	5.08	7.62
04	7.62	10.16
05	10.16	12.70
06	12.70	15.24
07	15.24	17.78
08	17.78	20.32
09	20.32	22.86
10	22.86	25.40
11	25.40	27.94
12	27.94	30.48
13	30.48	33.02
14	33.02	35.56
15	35.56	38.10
16	38.10	40.64
17	40.64	43.18
18	43.18	45.72
19	45.72	48.26
20	48.26	50.80
21	50.80	53.34
22	53.34	55.88
23	55.88	58.42
24	58.42	60.96
25	60.96	63.50
26	63.50	66.04
27	66.04	68.58
28	68.58	71.12
29	71.12	73.66
30	73.66	76.20
31	76.20	78.74
32	78.74	81.28
33	81.28	83.82
34	83.82	86.36
35	86.36	88.90
36	88.90	91.44
37	91.44	93.98
38	93.98	96.52
39	96.52	99.06
40	99.06	101.60

**HSF**

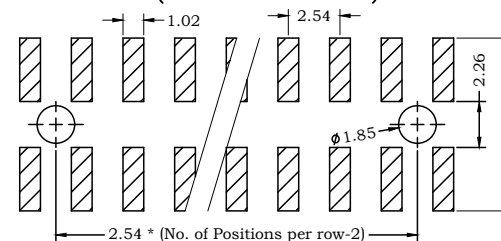
## Ordering Information

PAM2252 - XX XX B XX B1B X

No. of Pins per Row: 02~40  
 Contact Plating: 01=Gold Flash, 04=Tin, Duplex Plating: 06=Gold Flash/Tin(100u")  
 Housing Material: B=PA6T, D=PA9T  
 Packing: A=BAG, B=TRAY, C=TUBE, D=TAPE REEL

序号	材料	材质	料号	数量	备注
1	塑胶	PA6T/PA9T	PA225-XXBX	1PCS	2*40切需求PIN数
2	塑胶	PA6T/PA9T	PA225-XXAX	1PCS	
3	端子	H65	G064-164XXB	由塑胶决定	0.64*16.44
4	CAP	PA6T	CAP254-P24	1PCS	

## Recommended PCB Layout (Tolerance: ±0.05)



J&B东莞市骏佳电子科技有限公司 JunJia Electronics Technology Co.,Ltd	绘图(Drawn by)	刘应涛	投影(Third angle projection)		公差 (Tolerance)	料号 (Part No)	PAM2252-XXXXBXXB	页次 (Page)	
	审核(Checked by)		单位(Unit)	MM	0.0 ±0.30	图号 (Draw No)	PAM2252-BXXB1B	1/1	
	核准(Approved by)		比例(Scale)	1:1	0.00 ±0.20	品名 (Name)	2.54 双排针 SMT 带柱 H=2.50		
			版本 (Version)	A					
			日期(Date)	2022.02.16					