

1.27*1.27mm(0.050"*0.050")FEMALE HEADER,DUAL ROW,SMT H=4.3mm

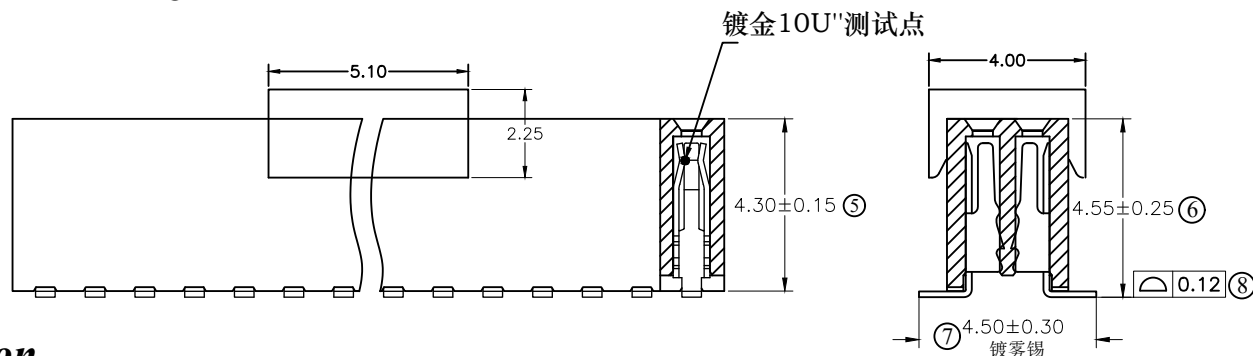
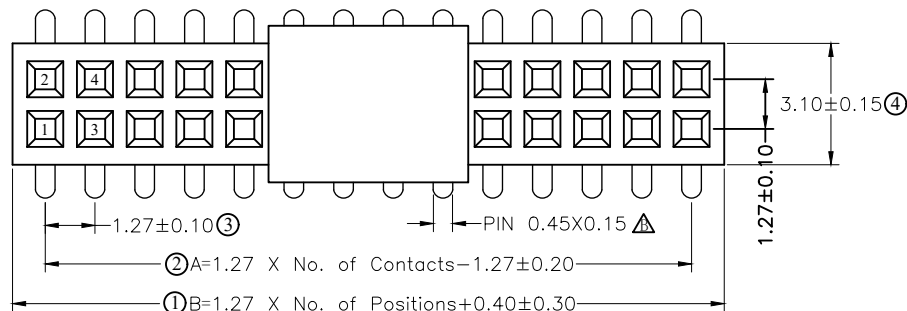
| REVISION DATA | | | |
|---------------|-------------|------|--------|
| ITEM | DESCRIPTION | DATE | REMARK |
| B | | | |

SPECIFICATIONS 规格

CURRENT RATING 电流额定值: 1AMP
 CONTACT RESISTANCE 接触电阻值: 20mΩ Max
 INSULATION RESISTANCE 绝缘电阻值: 1000MΩ Min
 DIELECTRIC WITHSTAND 耐压值: 500V AC/minute
 OPERATION TEMPERATURE 工作温度: -40°C to +105°C

CONTACT MATERIAL 端子材质: Phosphor Bronze
 HOUSING MATERIAL 塑胶材质:
 STANDARD 标准物料: PA6T + 30%G.F.; UL 94V-0; BLACK

PLATING 电镀: 10U" gold on contact area, Matte Tin



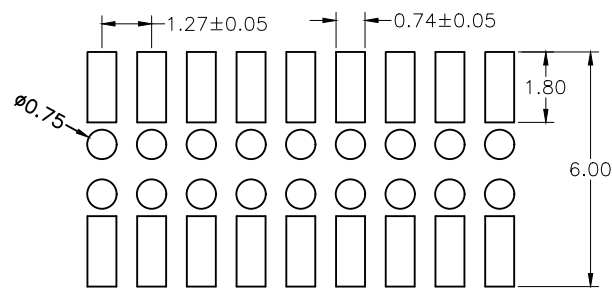
盖子根据客户要求可加可不加

HSF

Ordering Information

FCM2431 - XX XX A XX B 1A X

No. of Pins per Row: 02~50
 Contact Plating: 01=Gold Flash, 04=Tin, Duplex Plating 06=Gold Flash/Tin(100u")
 Housing Material: B=PA6T, C=LCP, D=PA9T
 Packing: A=BAG, B=TRAY, C=TUBE, D=TAPE REEL



Recommended PCB Layout (Tolerance: ±0.05)

| No. of PIN/ROW | Dimension Information | |
|----------------|-----------------------|-------|
| | A | B |
| 02 | 1.27 | 2.94 |
| 03 | 2.54 | 4.21 |
| 04 | 3.81 | 5.48 |
| 05 | 5.08 | 6.75 |
| 06 | 6.35 | 8.02 |
| 07 | 7.62 | 9.29 |
| 08 | 8.89 | 10.56 |
| 09 | 10.16 | 11.83 |
| 10 | 11.43 | 13.10 |
| 11 | 12.70 | 14.37 |
| 12 | 13.97 | 15.64 |
| 13 | 15.24 | 16.91 |
| 14 | 16.51 | 18.18 |
| 15 | 17.78 | 19.45 |
| 16 | 19.05 | 20.72 |
| 17 | 20.32 | 21.99 |
| 18 | 21.59 | 23.26 |
| 19 | 22.86 | 24.53 |
| 20 | 24.13 | 25.80 |
| 21 | 25.40 | 27.07 |
| 22 | 26.67 | 28.34 |
| 23 | 27.94 | 29.61 |
| 24 | 29.21 | 30.88 |
| 25 | 30.48 | 32.15 |
| 26 | 31.75 | 33.42 |
| 27 | 33.02 | 34.69 |
| 28 | 34.29 | 35.96 |
| 29 | 35.56 | 37.23 |
| 30 | 36.83 | 38.50 |
| 31 | 38.10 | 39.77 |
| 32 | 39.37 | 41.04 |
| 33 | 40.64 | 42.31 |
| 34 | 41.91 | 43.58 |
| 35 | 43.18 | 44.85 |
| 36 | 44.45 | 46.12 |
| 37 | 45.72 | 47.39 |
| 38 | 46.99 | 48.66 |
| 39 | 48.26 | 49.93 |
| 40 | 49.53 | 51.20 |
| 41 | 50.80 | 52.47 |
| 42 | 52.07 | 53.74 |
| 43 | 53.34 | 55.01 |
| 44 | 54.61 | 56.28 |
| 45 | 55.88 | 57.55 |
| 46 | 57.15 | 58.82 |
| 47 | 58.42 | 60.09 |
| 48 | 59.69 | 61.36 |
| 49 | 60.96 | 62.63 |
| 50 | 62.23 | 63.90 |

| 序号 | 材料 | 材质 | 料号 | 数量 | 备注 |
|----|----|------|-------------|-------|----|
| 1 | 塑胶 | PA6T | FC243-XXAB | 1PCS | 黑色 |
| 2 | 端子 | 磷铜 | RC301-XXXXA | 由塑胶决定 | |

| | | | | | | | | | |
|---|-----------------|----------|----------------------------|-----|-------------------------|--------------|---------------------|-----------|-----|
| J&B东莞市骏佳电子科技有限公司 JunJia Electronics Technology Co.,Ltd | 绘图(Drawn by) | 杨婷婷 | 投影(Third angle projection) | | 公差 (Tolerance) | 料号 (Part No) | FCM2431-XXXXAXXP1AX | 页次 (Page) | 1/1 |
| | 审核(Checked by) | | 单位(Unit) | MM | 0.0 ±0.30 0.00 ±0.20 | 图号 (Draw No) | FCM2431-AXXB1A | | |
| | 核准(Approved by) | | 比例(Scale) | 1:1 | | 品名 (Name) | 1.27双排母 SMT H=4.30 | | |
| | | | 版本(Version) | A | | | | | |
| | | 日期(Date) | 2017.04.24 | | | | | | |